

BIG BUBBA

PROFESSIONAL MODEL PORTABLE BATTING CAGE



1-800-527-7510

PARTS LIST



1-800-527-7510

ITEM	DESCRIPTION	QTY	PART #
A	FRONT CANOPY ARCHED TUBE	2 EA	ZBSARCH (2 REQUIRED)
B	MIDDLE CANOPY ARCHED TUBE	2 EA	
C	REAR CANOPY ARCHED TUBE	2 EA	
D	TOP FRAME ARCHED TUBE	2 EA	
E	BOTTOM FRAME ARCHED TUBE	2 EA	
F	FRONT BOTTOM 'L' TUBE	1 SET (2)	ZBFRNTL
G	XBARS - 86"	1 SET (5)	ZBCROSS
H	LONG ANGLE BRACE - 34"	2 EA	ZBSTUBE
I	SHORT ANGLE BRACE - 13 3/8"	2 EA	
J	STRAIGHT FRAME TUBES - 57"	4 EA	
K	COACH OBSERVATION BAR	1 EA	
L	U-LOCK CONNECTOR TUBES - 98 3/4"	6 EA	ZX0210004
M	NET & TWINE	1 EA	BIGBUBBANTDS
N	SKIRT	1 EA	BSBSK
O	RICOCHET PADDING - 72"	7 EA	ZX1700005
P	BACKSTOP DOLLEY	1 EA	ZBSDOLLEY
R	CONNECTOR STORAGE TUBES	2 EA	ZXS0100005
1	ALUM. WHEEL PLATE - 5 HOLES	4 EA	ZX0900049
2	ALUM. CANOPY PIVOT PLATE - 4 HOLES	4 EA	ZX0900050
3	POLY TWINE - 500'	1 RL	1236750
4	SHAFT COLLAR 5/8"	4 EA	Z037062COL
5	WHEEL AXLE - 5/8" X 7 1/2" CARRIAGE BOLT	2 EA	ZX3200036
6	3/8" X 3" CARRIAGE BOLT	16 EA	ZX3200035
7	3/8" LOCKNUT	16 EA	Z060375-16
8	5/8" LOCKNUT	2 EA	Z060625NLN
9	ALUM. LOCK RING	12 EA	ZX1450009
10	'T' - FITTING	24 EA	ZX1450002
11	HEX KEY .187	1 EA	Z031187HEX
12	HEX KEY .156	1 EA	Z031156HEX
13	HEX KEY 5 MM	1 EA	ZX3800005
14	TIE WRAPS - 11"	100 EA	ZX3900011
15	PLASTIC TUBE CAP	2 EA	ZX1500007
16	3/8" FLAT WASHER	32 EA	Z070037Z/P
DG	16" WHEEL	3 EA	ZX2800006

ZBBHDWPK

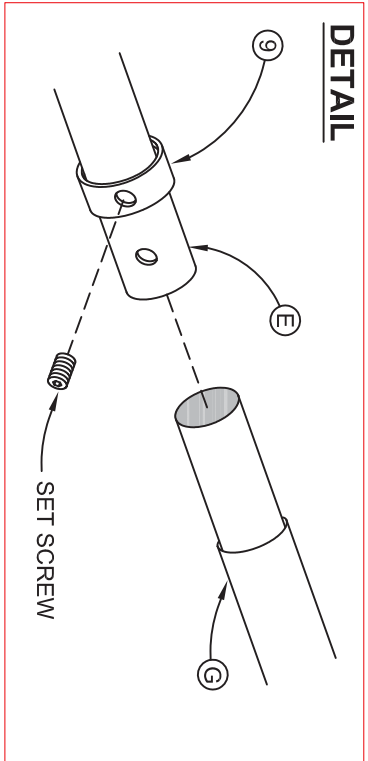
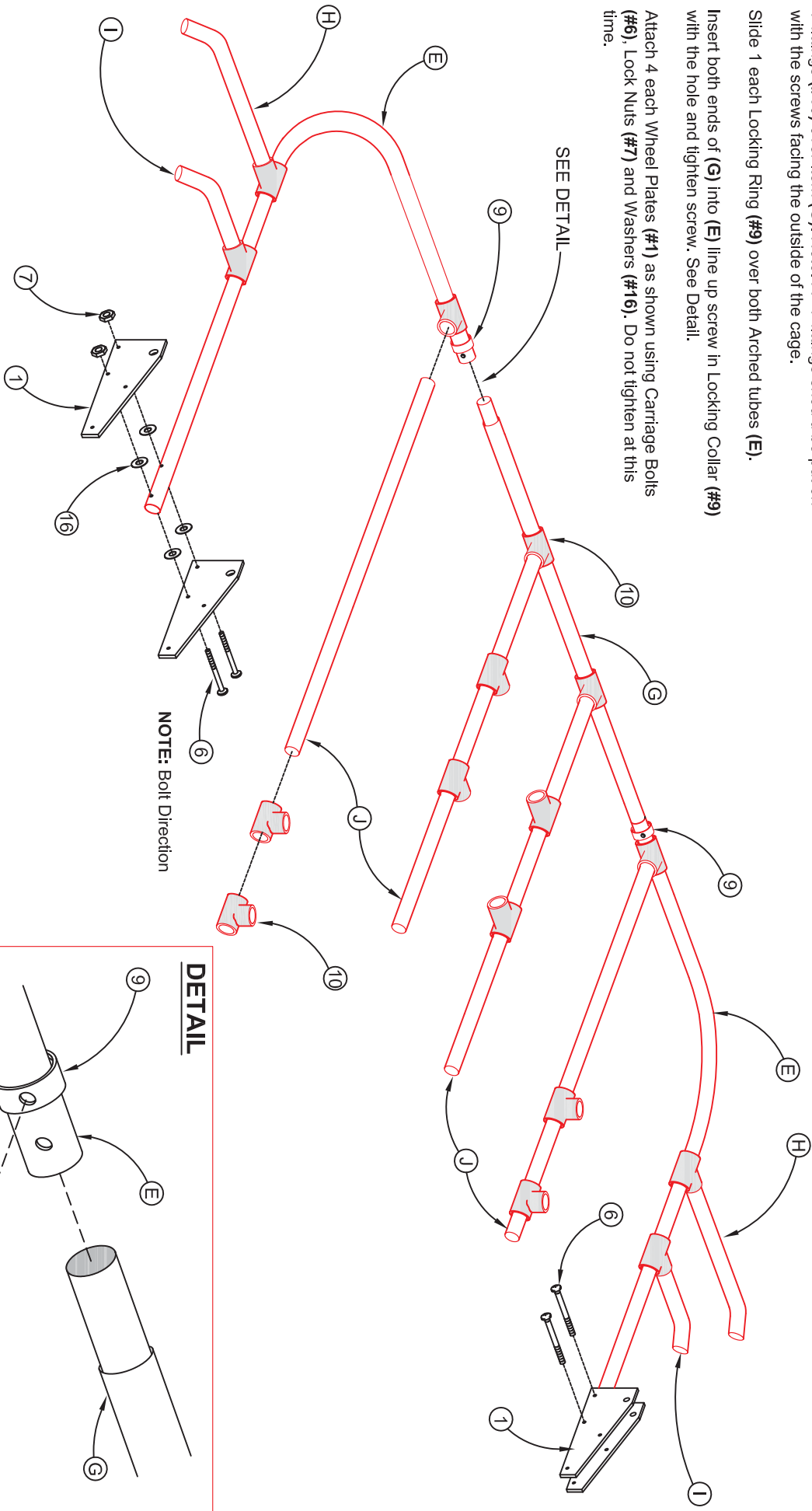
ZBSWHEEL

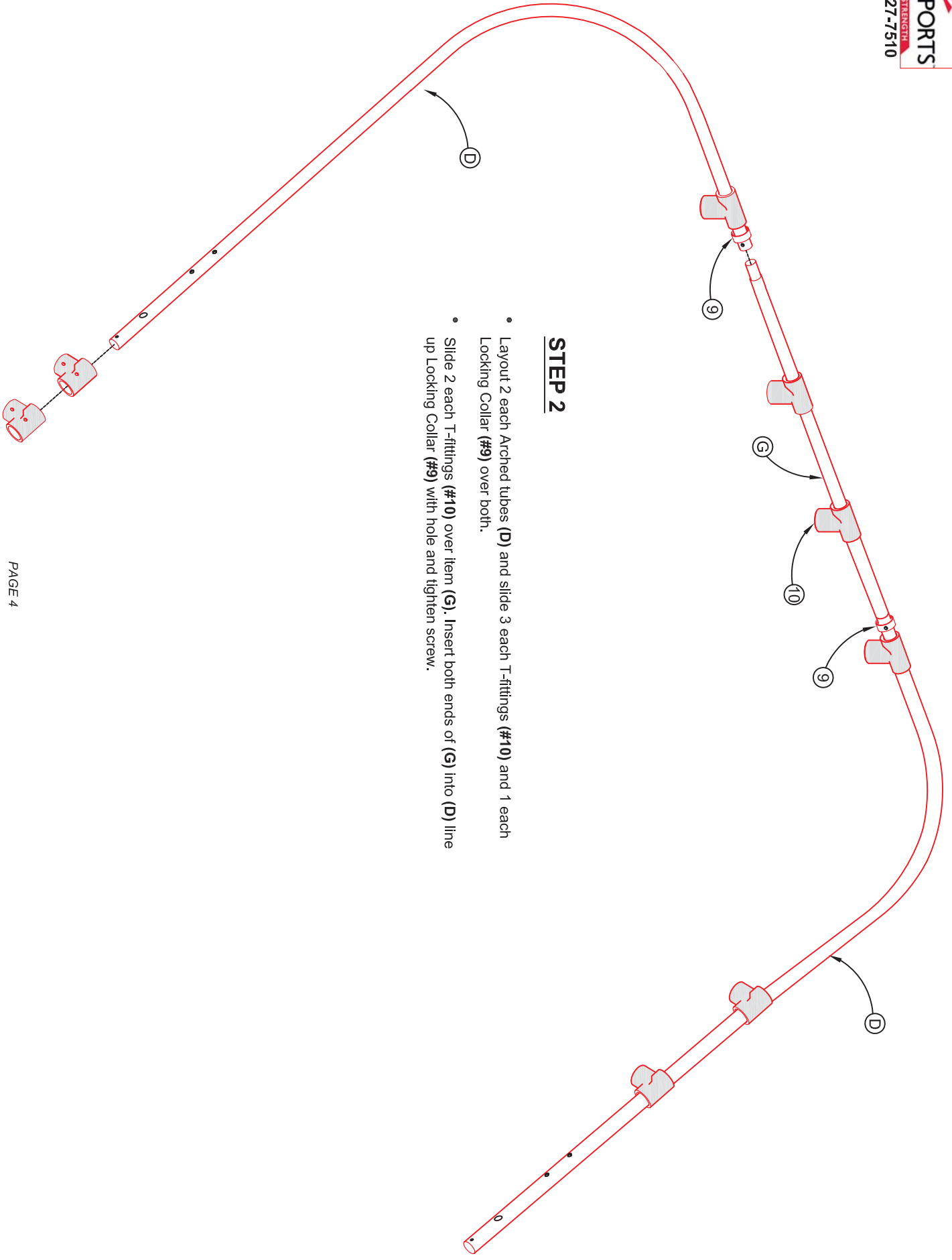
STEP 1

— ASSEMBLY REQUIRES - 2 ADULTS, LADDER, SOCKET WRENCHES, HAMMER, ADJ. WRENCH —
 NOTE: DISCARD THE 20 PCS OF 4" TUBE  THEY ARE FOR SHIPPING PURPOSE ONLY.



- Assemble your Batting Cage in a large area where it is to be used. Layout the following items as shown in diagram - 2 each (E), - 1 each (G), - 2 each (I), - 2 each (H), - 4 each (J), - 4 each (#1).
- Slide 3 each T-fittings (#10) over both Arched tubes (E) and 2 each T-fittings (#10) over item (G). Note: All T-fittings should be put on with the screws facing the outside of the cage.
- Slide 1 each Locking Ring (#9) over both Arched tubes (E).
- Insert both ends of (G) into (E) line up screw in Locking Collar (#9) with the hole and tighten screw. See Detail.
- Attach 4 each Wheel Plates (#1) as shown using Carriage Bolts (#6), Lock Nuts (#7) and Washers (#16). Do not tighten at this time.



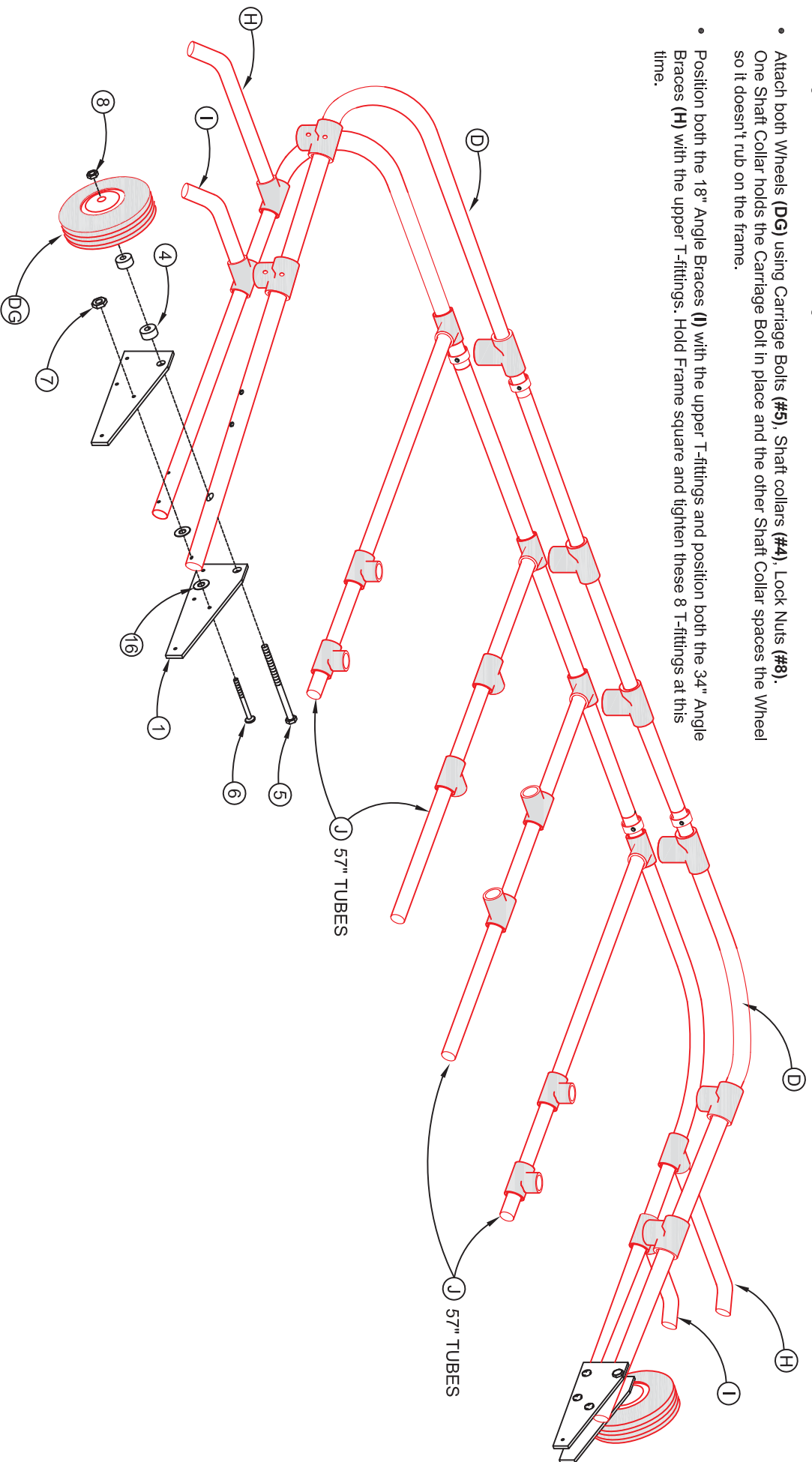


STEP 2

- Layout 2 each Arched tubes (**D**) and slide 3 each T-fittings (**#10**) and 1 each Locking Collar (**#9**) over both.
- Slide 2 each T-fittings (**#10**) over item (**G**). Insert both ends of (**G**) into (**D**) line up Locking Collar (**#9**) with hole and tighten screw.

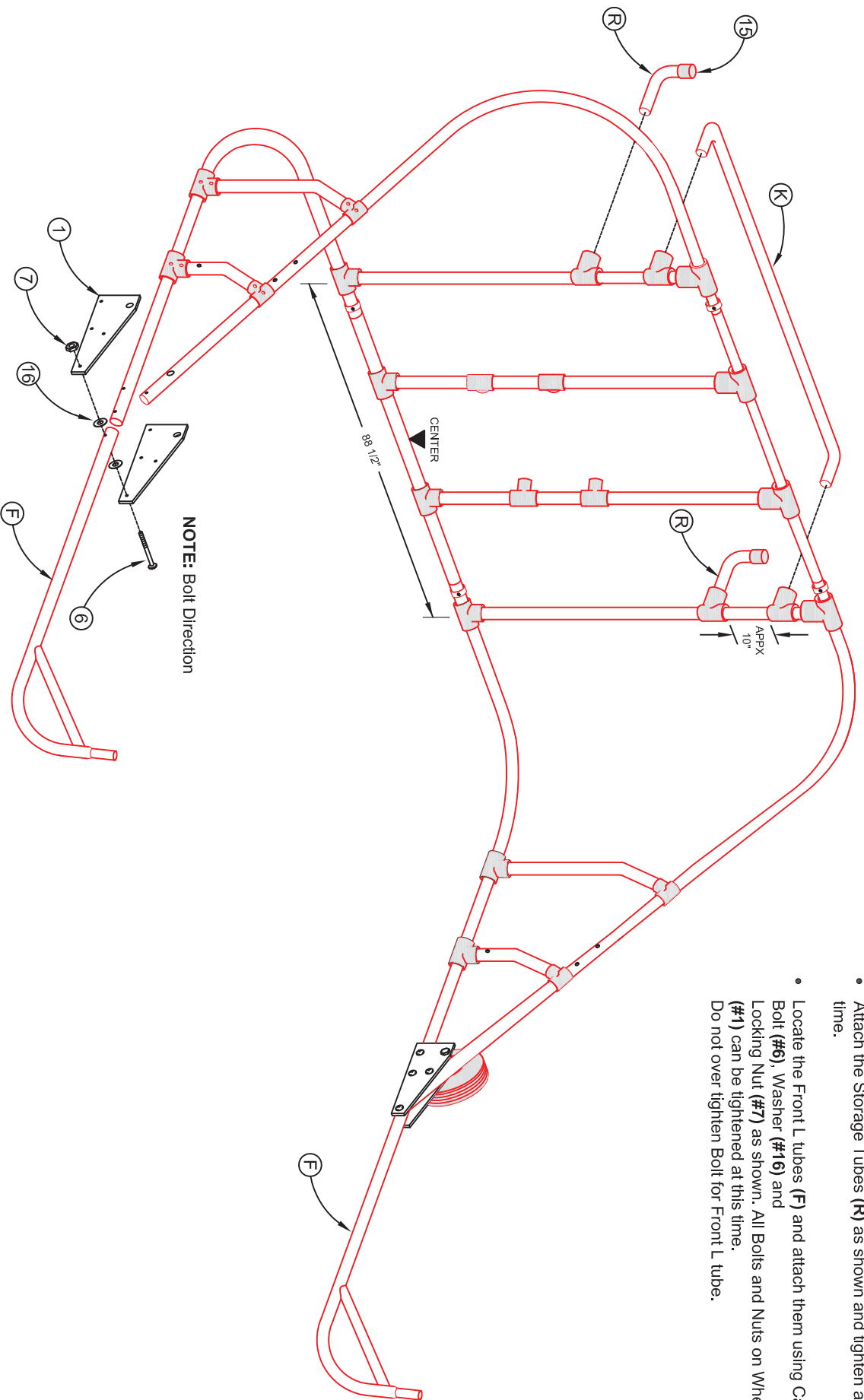
STEP 3

- Stack the 2 U-shaped assemblies as shown in diagram and attach both items **(D)** to the Wheel Plates **(#1)** using Carriage Bolts **(#6)**, Lock Nuts **(#7)**, and Washers **(#16)**. Do not tighten at this time.
- Raise the upper U-shaped assembly and hold in place with the 4 each 57" straight tubes **(J)**. Do not tighten the set screws in T-fittings at this time.
- Attach both Wheels **(DG)** using Carriage Bolts **(#5)**, Shaft collars **(#4)**, Lock Nuts **(#8)**. One Shaft Collar holds the Carriage Bolt in place and the other Shaft Collar spaces the Wheel so it doesn't rub on the frame.
- Position both the 18" Angle Braces **(I)** with the upper T-fittings and position both the 34" Angle Braces **(H)** with the upper T-fittings. Hold Frame square and tighten these 8 T-fittings at this time.

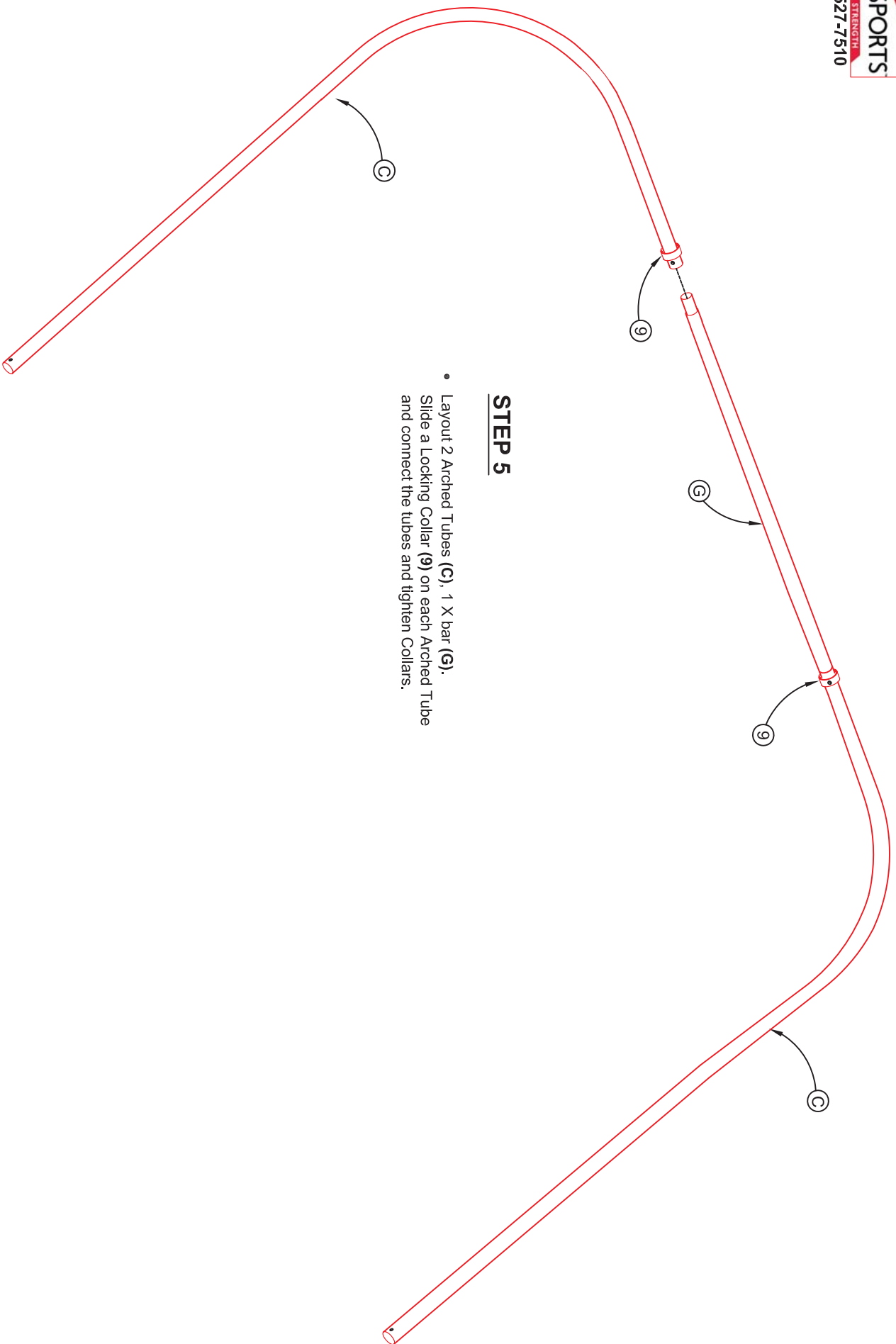


STEP 4

- Locate the Coaches Observation Bar (**K**), and place it in the T-fittings as shown. Slide it all the way to the top and tighten set screws. Position Observation Bar in the center of Cage and tighten those T-fittings at this time.
- Attach the Storage Tubes (**R**) as shown and tighten at this time.
- Locate the Front L tubes (**F**) and attach them using Carriage Bolt (**#6**), Washer (**#16**) and Locking Nut (**#7**) as shown. All Bolts and Nuts on Wheel Plates (**#1**) can be tightened at this time. Do not over tighten Bolt for Front L tube.

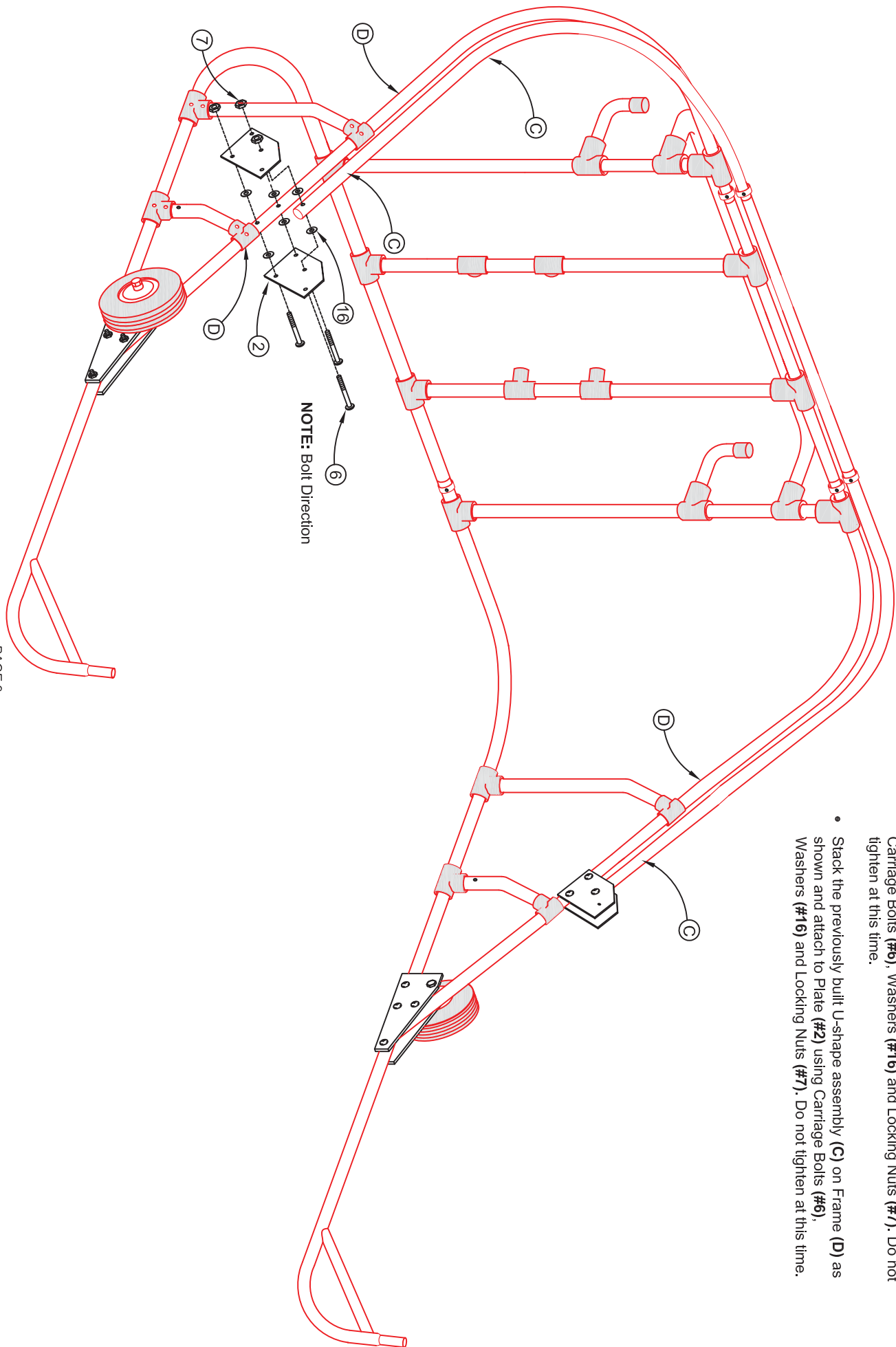


NOTE: Bolt Direction



STEP 5

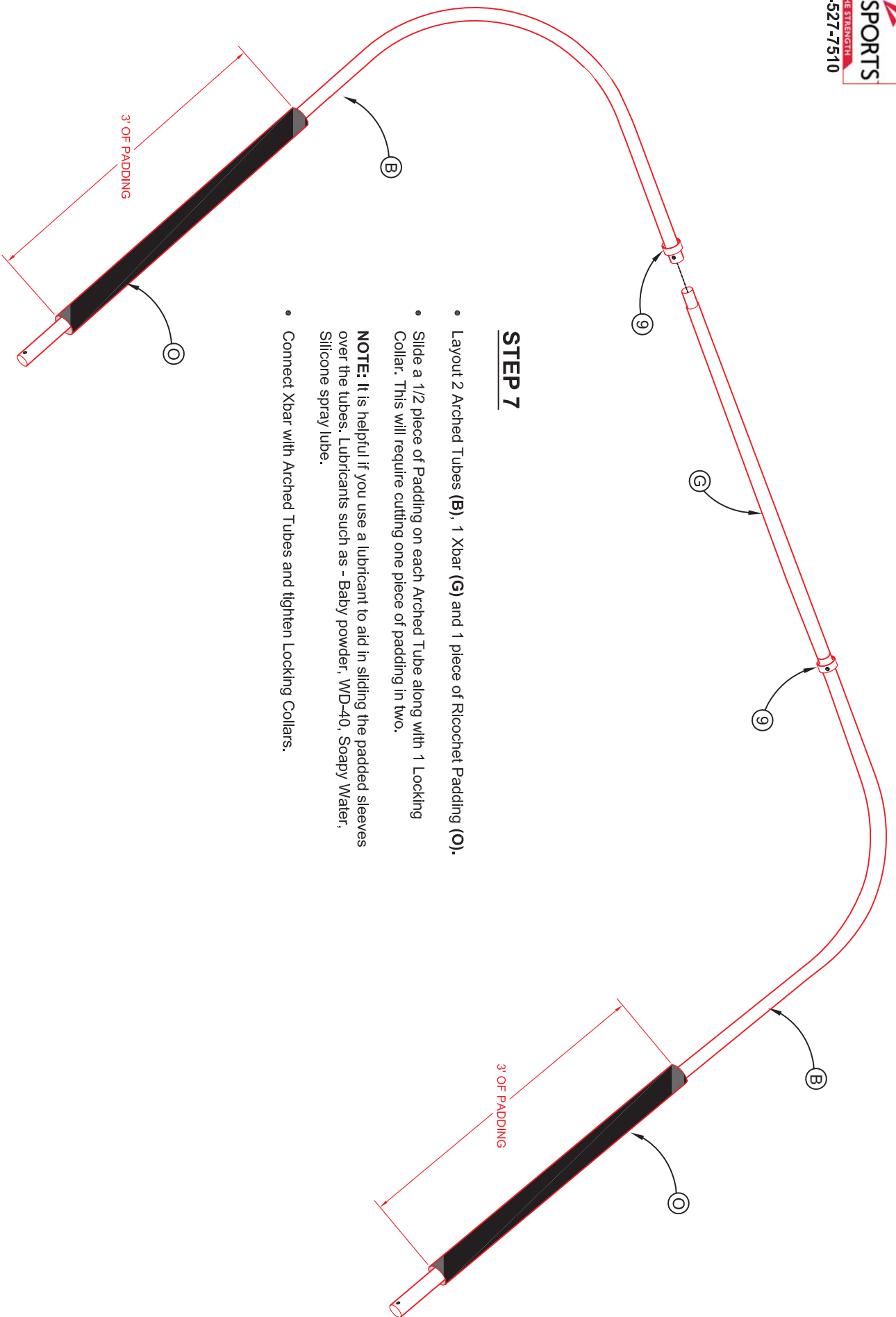
- Layout 2 Arched Tubes (G), 1 X bar (G). Slide a Locking Collar (9) on each Arched Tube and connect the tubes and tighten Collars.



NOTE: Bolt Direction

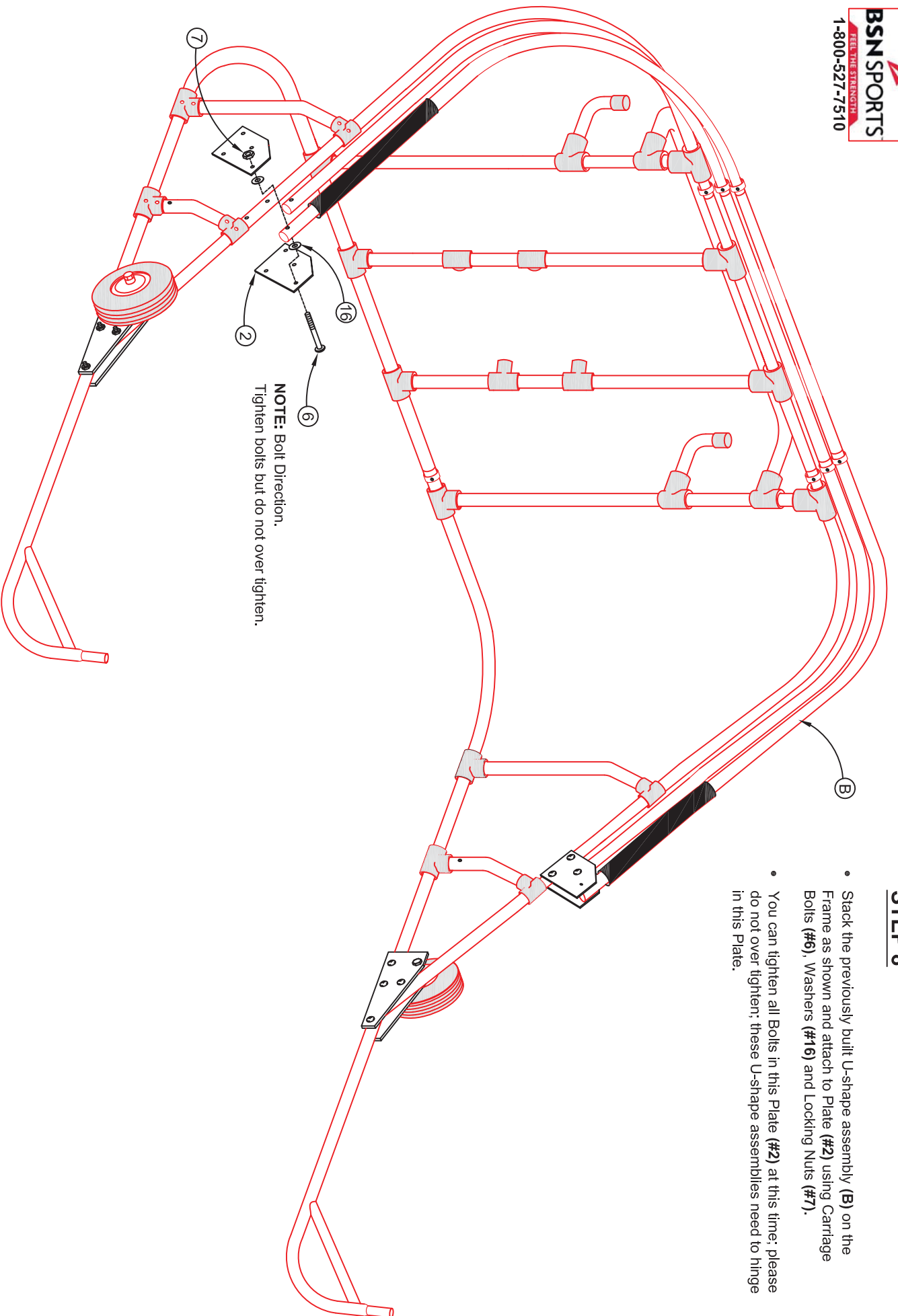
STEP 6

- Locate and attach 4 Canopy Pivot Plates (#2) to Frame (D) using Carriage Bolts (#6), Washers (#16) and Locking Nuts (#7). Do not tighten at this time.
- Stack the previously built U-shape assembly (C) on Frame (D) as shown and attach to Plate (#2) using Carriage Bolts (#6), Washers (#16) and Locking Nuts (#7). Do not tighten at this time.



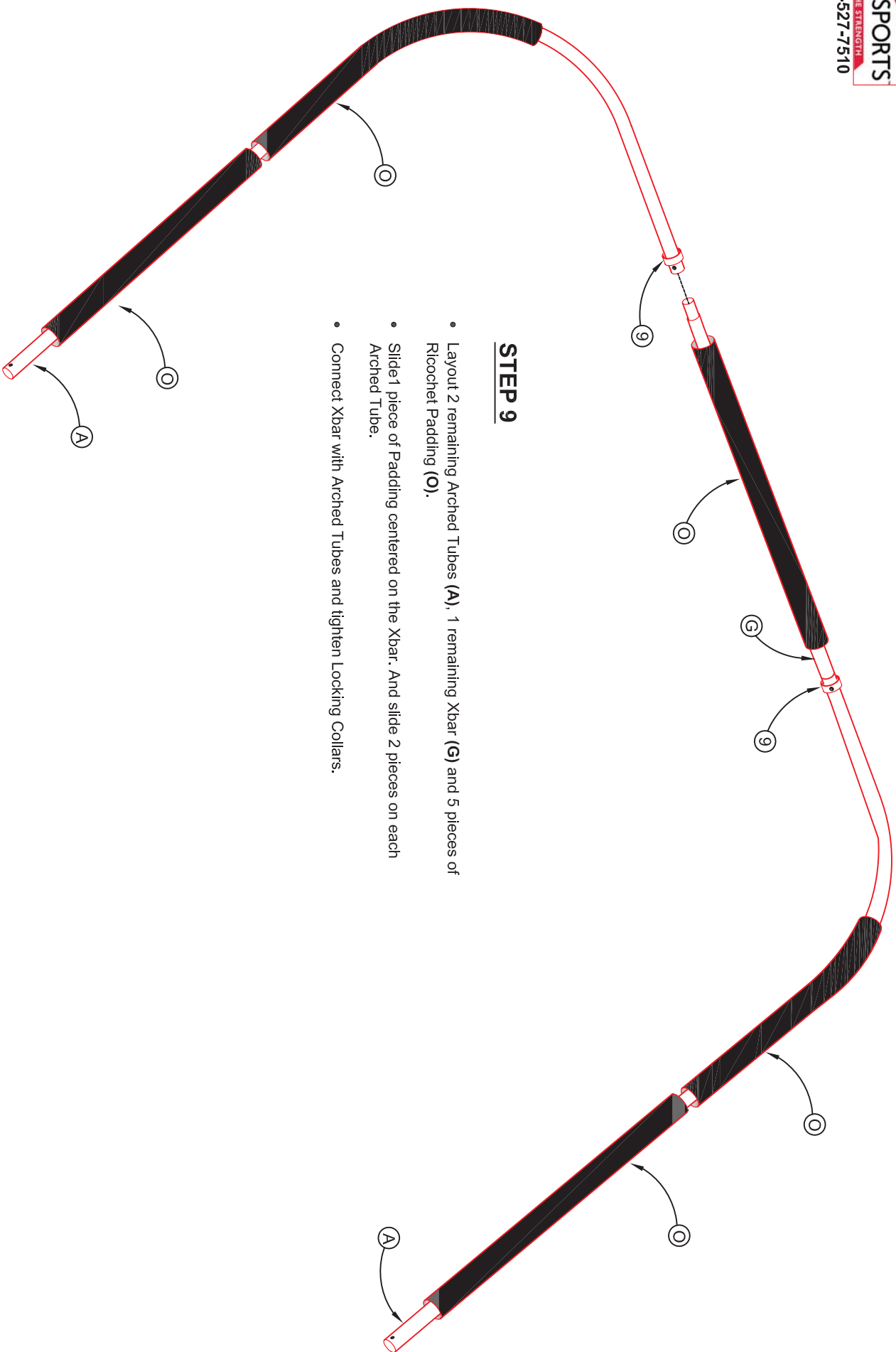
STEP 7

- Layout 2 Arched Tubes (B), 1 Xbar (G) and 1 piece of Ricochet Padding (O).
 - Slide a 1/2 piece of Padding on each Arched Tube along with 1 Locking Collar. This will require cutting one piece of padding in two.
- NOTE:** It is helpful if you use a lubricant to aid in sliding the padded sleeves over the tubes. Lubricants such as - Baby powder, WD-40, Soapy Water, Silicone spray lube.
- Connect Xbar with Arched Tubes and tighten Locking Collars.



STEP 8

- Stack the previously built U-shape assembly (B) on the Frame as shown and attach to Plate (#2) using Carriage Bolts (#6), Washers (#16) and Locking Nuts (#7).
- You can tighten all Bolts in this Plate (#2) at this time; please do not over tighten; these U-shape assemblies need to hinge in this Plate.

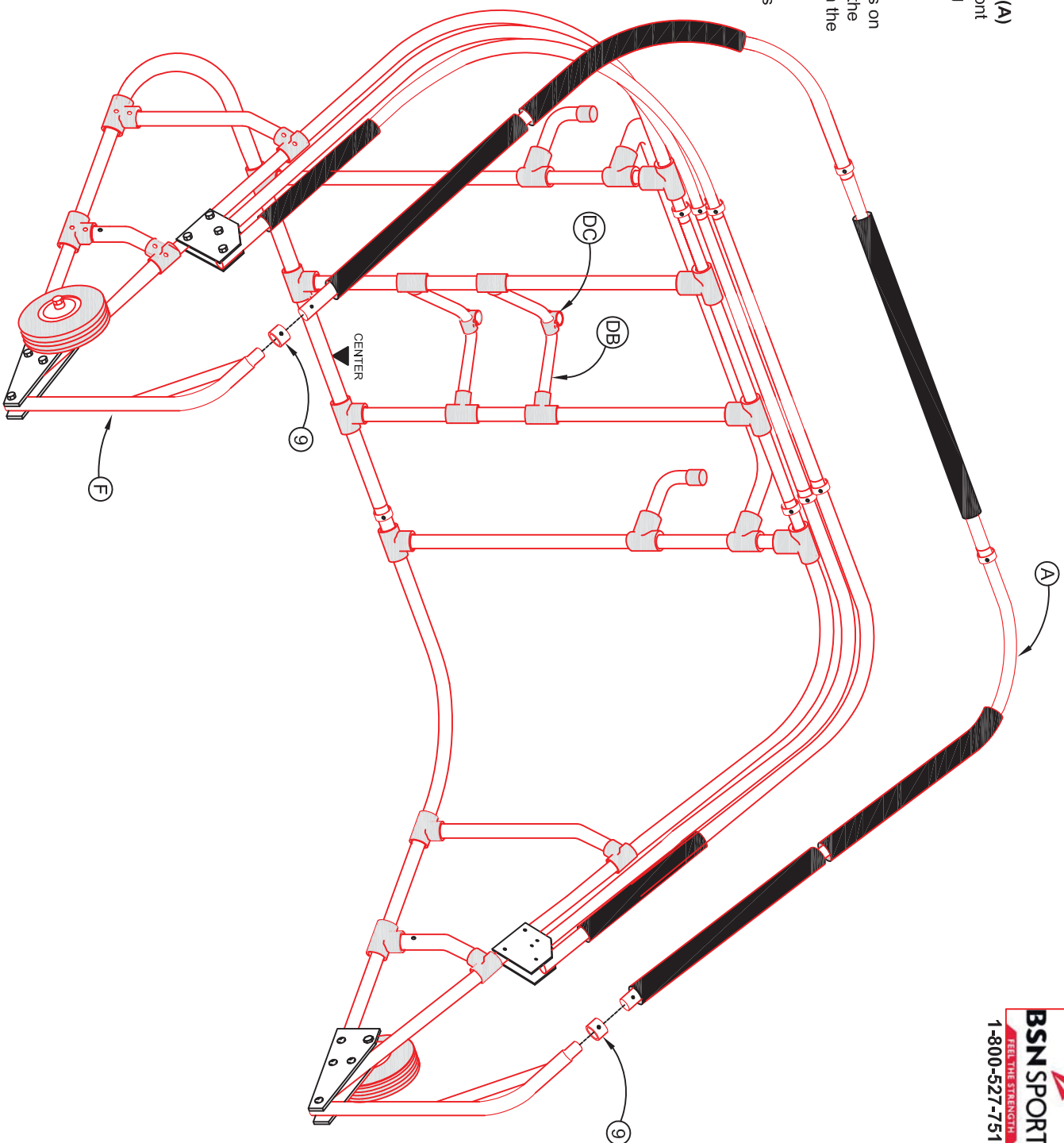


STEP 9

- Layout 2 remaining Arched Tubes (A), 1 remaining Xbar (G) and 5 pieces of Ricochet Padding (O).
- Slide 1 piece of Padding centered on the Xbar. And slide 2 pieces on each Arched Tube.
- Connect Xbar with Arched Tubes and tighten Locking Collars.

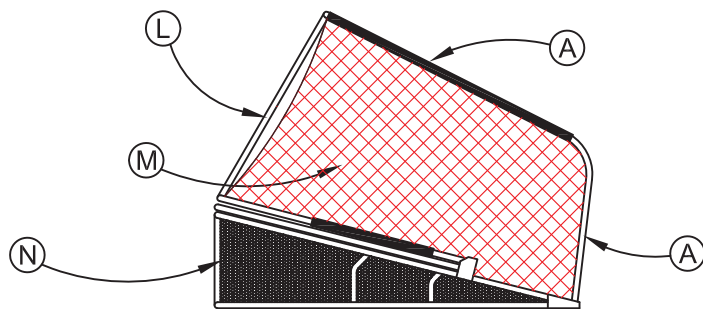
STEP 10

- Stack the previously built U-shaped assembly (**A**) on the Frame as shown and attach it to the Front L-shape tubes (**F**) using the remaining Locking Collars.
- Locate the 2 V-tubes (**DB**) and 2 Crossover Fittings (**DC**) and attach them to the 4 T-fittings on the back of the Main Frame. This will position the two 57" Straight Tubes so you can now tighten the 4 T-fittings holding them.
- Check and securely tighten all set screws, nuts and bolts at this time.

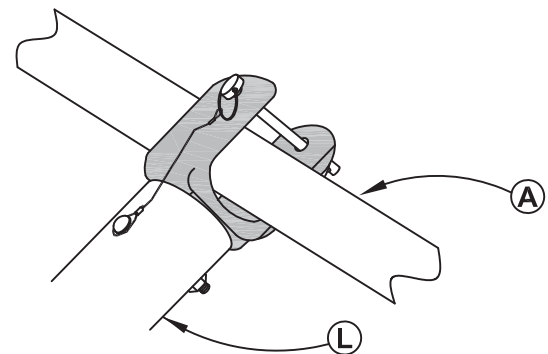


STEP 11

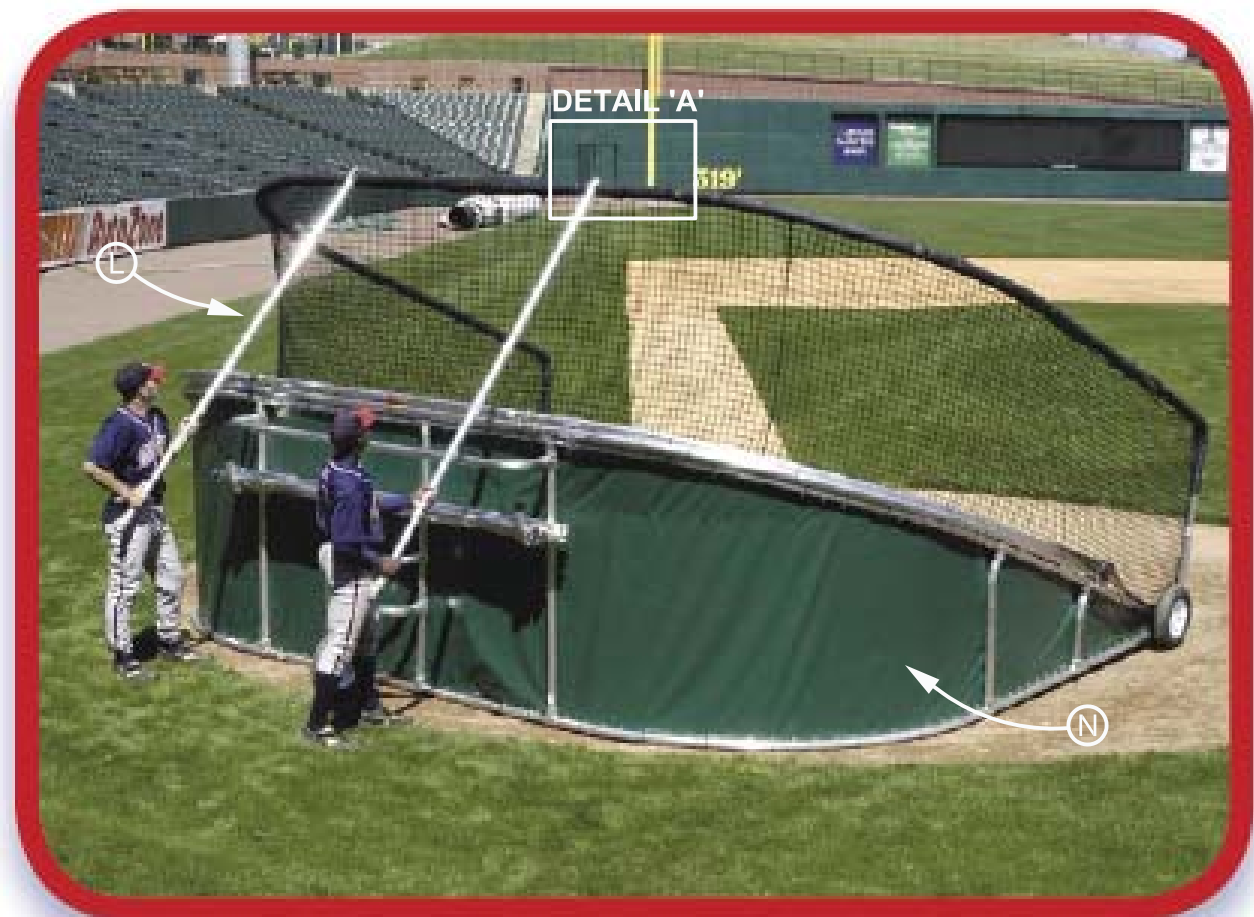
- With the assembled Frame in the collapsed position, spread out the Net (**M**) inside the Frame.
NOTE: The net has a tag attached to it on the "top-front-center-position".
- Using Tie Wraps (**#14**) temporarily attach the Net (at the tag) to the center of the Front Canopy (**A**). Working your way out from there in both directions, attach the Net to the Front Canopy every 3 feet till you reach the ground. Verify the Net is centered on the frame.
- Locate 2 U-Lock Connectors (**L**) and raise Front Canopy by attaching one end of the U-Lock Connectors to the Front Canopy and the other end of the U-Lock Connectors to Canopy (**B**) as shown in Detail A and View 1.



VIEW 1

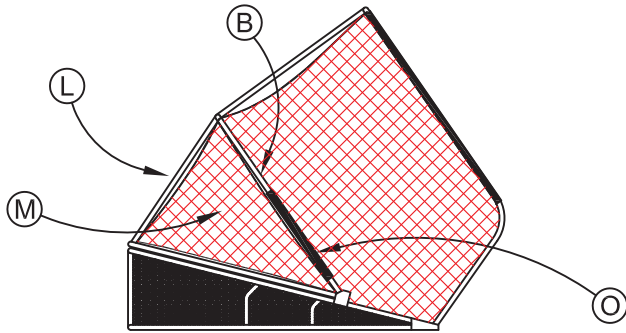


DETAIL A

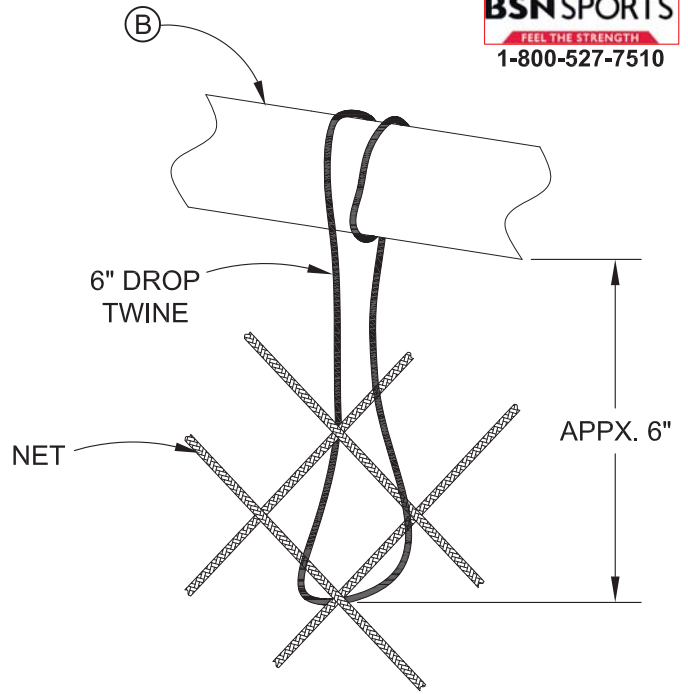


STEP 12

- Using the Poly Twine supplied make 3 - 6" drop twines as shown in Detail below and attach the center of the Net and the two heavy rope seams of the Net to Canopy (B).
- **NOTE:** The net fits very tight when first attached so it is a **must that you stretch it as much as possible** when attaching from one canopy to the next otherwise the net will seem to be short at the end. Then net will stretch in time and have a looser fit.
- Take 2 more U-Lock Connectors and raise Canopy (B) and attach U-Lock Connectors to Canopy (C) as shown in View 2.



VIEW 2

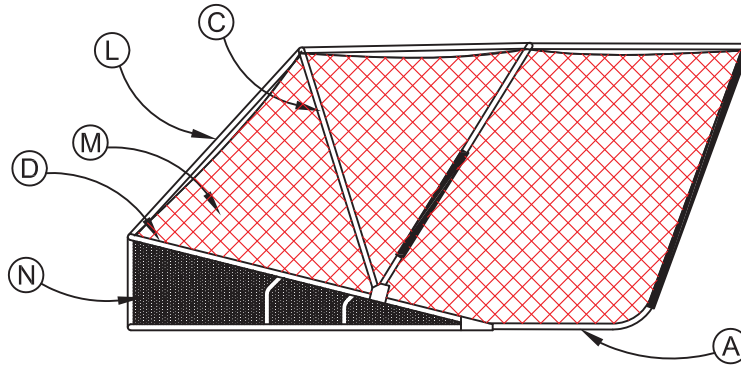


DETAIL



STEP 13

- Using the Poly Twine supplied make 3 - 6" drop twines and attach the center of the Net and the two heavy rope seams of the Net to Canopy (C).
- Take the remaining 2 U-Lock Connectors and raise Canopy (C) and attach U-Lock Connectors to Top Frame (D) as shown in View 3. The Cage is now at its fully extended position.
- Using Tie Wraps temporarily attach the bottom boarder of the Net to the Top Frame (D) every 3 feet all the way around to the Wheel Plates on each side. Verify the Net is centered on Frame.



VIEW 3



STEP 14

- Using Tie Wraps temporarily attach the top of the Skirt (**N**) (top is the tapered side) to the Top of Frame (**D**) every 3 feet all the way around to the Wheel Plates on each side. Verify the Skirt is centered.
- Now using the Poly Twine begin permanently lacing the Net and Skirt to the Top Frame (**D**) from Wheel to Wheel.
- Follow the same procedure to permanently lace the bottom of the Skirt to the Bottom of Frame.
- Now using the Poly Twine (**#3**) begin permanently lacing the Net to the Front Canopy (**A**) starting just in front of the Wheel Plate on one side and finishing at the Wheel Plate on the opposite side.
- Use 6" drop twines to attach Net to Canopy (**C**) approximately 9 places and Canopy (**B**) approximately 9 places.
- Use Tie Wraps or Twine to attach the 10' x 10' Baffle Net; position behind home plate as deep as desired.
- Your Batting Cage is now fully erected. See separate Assembly Instructions for Dolly Assembly.

WARNING Always use 2 adults to raise, collapse or transport Cage.

WARNING Always collapse Cage when not in use or in High Winds.

WARNING Never transport Cage unless it is in the fully collapsed position.

WARNING Always lower transport dolly so bottom of frame is setting firmly on the ground before raising the Cage.

WARNING Never allow anyone to stand close to the netting while Cage is in use. This could result in serious injury.

WARNING Do Not Climb on Cage at any time. This could result in serious injury or damage to Cage.

WARNING Never use U-Lock Connectors without the Detent Pin in place.

