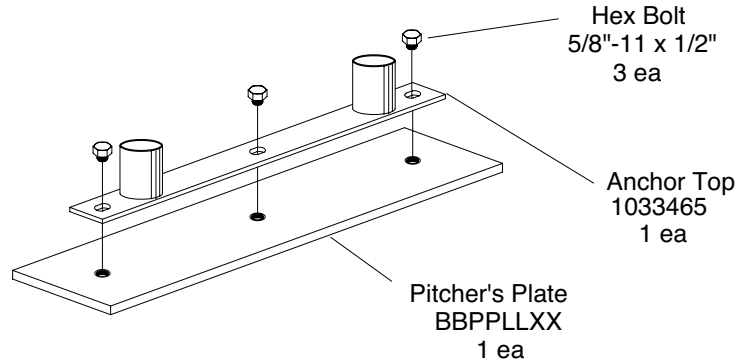


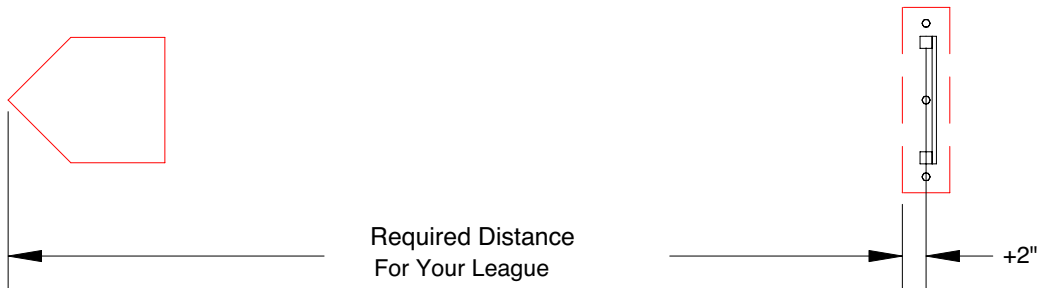


REMOVEABLE PITCHERS PLATE/ANCHOR SYSTEM 1033465

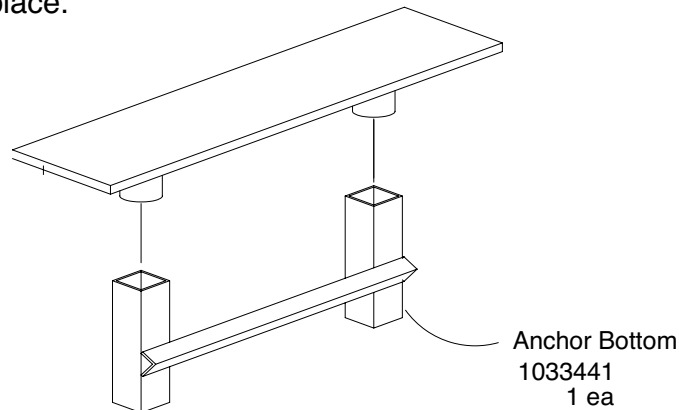
Attach Anchor Top to Pitcher's Plate
with the 3 Hex Bolt provided.



Set the Anchor Bottom in ground
at desired location.



Clean out dirt before setting
Plate/Anchor Assembly in place.



1033465 rev. 5/04

